

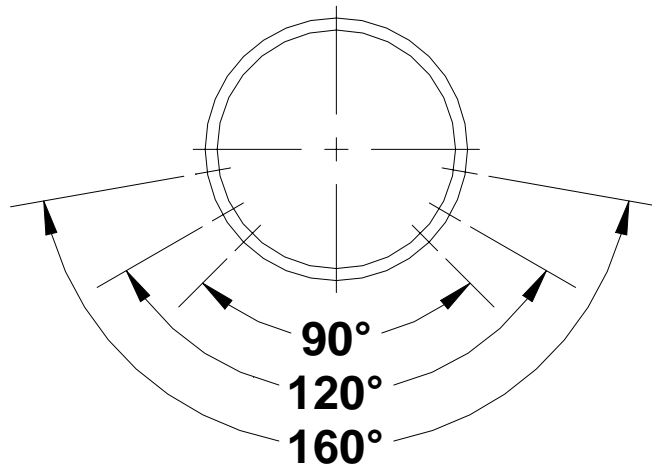


NATIONAL PIPE & PLASTICS, INC.

American-made products since 1970

Corporate Offices
3421 Old Vestal Road, Vestal, NY 13850
800.836.4350 607.729.9381 Fax: 607.729.6130
www.nationalpipe.com

SCH40/80 & DWV PVC Pipe Perforated To
AASHTO M278
Highway Underdrain Specifications



<u>Nominal Pipe Size</u>	<u>Perforation Arrangement</u>
4"	Hole Size: 3/8" Center-to-Center: 3" +/- 1/4" Rows of Holes: 2, 90° +/- 3°
6" – 10"	Hole Size: 3/8" Center-to-Center: 3" +/- 1/4" Rows of Holes: 4, 2 @ 90°, 2 @ 160° +/- 3°
12"	Hole Size: 3/8" Center-to-Center: 3" +/- 1/4" Rows of Holes: 6, 2 @ 90°, 2 @ 120°, 2 @ 160° +/- 3°

Note: **NATIONAL** ASTM D-1785 (SCH40/80), ASTM D-2665 (DWV) Pipe is manufactured from a PVC compound with a cell class 12454-B, as defined in ASTM D-1784, and meets the standard specifications of Penn-DOT Publication 408, Section 610.2

Standard pipe length: 20'