

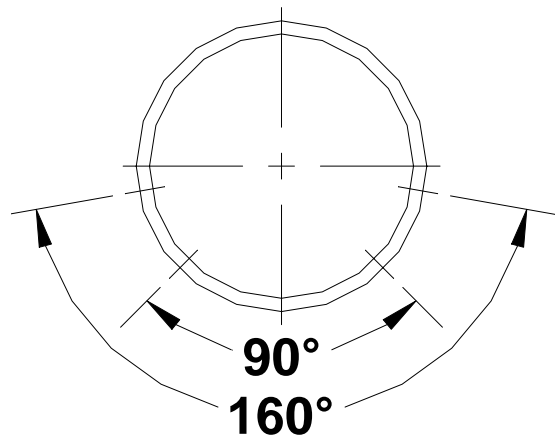


**NATIONAL PIPE & PLASTICS, INC.**

*American-made products since 1970*

Corporate Offices  
3421 Old Vestal Road, Vestal, NY 13850  
800.836.4350 607.729.9381 Fax: 607.729.6130  
www.nationalpipe.com

**SCH40/80 & DWV PVC Pipe Perforated To  
ASTM F-758  
Highway/Airport Underdrainage Systems**



<u>Nominal Pipe Size</u>	<u>Perforation Arrangement</u>
4"	Hole Size: 3/8" Center-to-Center: 3-1/4" +/- 1/4" Rows of Holes: 2, 90° +/- 3°
6"	Hole Size: 3/8" Center-to-Center: 3-1/4" +/- 1/4" Rows of Holes: 4, 2 @ 90°, 2 @ 160° +/- 3°
8"	Hole Size: 3/8" Center-to-Center: 3-1/4" +/- 1/4" Rows of Holes: 4, 2 @ 90°, 2 @ 160° +/- 3°

Note: **NATIONAL** ASTM D-1785 (SCH40/80), ASTM D-2665 (DWV) PVC Pipe is manufactured from a PVC compound with a cell class 12454-B, as defined in ASTM D-1784.

Standard pipe length: 20'