

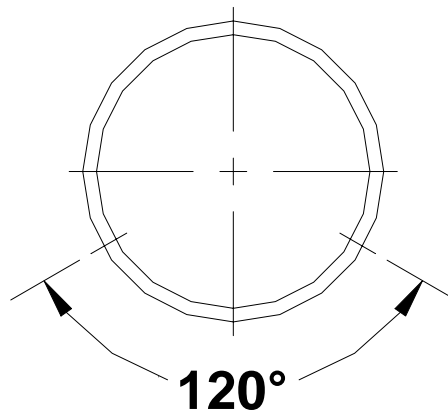


**NATIONAL PIPE & PLASTICS, INC.**

*American-made products since 1970*

Corporate Offices  
3421 Old Vestal Road, Vestal, NY 13850  
800.836.4350 607.729.9381 Fax: 607.729.6130  
www.nationalpipe.com

ASTM D-1785 Schedule 40/80 and  
ASTM D-2665 DWV  
Standard Perforation  
For Underdrain Systems



Nominal Pipe Size

Perforation Arrangement

2" - 3"*	Hole Size: 1/2" +/- 1/16" Center-to-Center: 5" +/- 1/4" Rows of Holes: 2, 120° +/- 5° *These sizes are hand drilled using a template.
4" - 6"	Hole Size: 1/2" +/- 1/16" Center-to-Center: 5" +/- 1/4" Rows of Holes: 2, 120° +/- 5°
8" - 12"	Hole Size: 7/8" +/- 1/16" Center-to-Center: 6" +/- 1/4" Rows of Holes: 2, 120° +/- 5°

Notes: **NATIONAL** ASTM D-1785 and ASTM D- 2665 PVC Pipe is manufactured from a compound with a cell class 12454-B, as defined in ASTM D-1784, and ASTM D2672 for Solvent Cemented Bell-End Pipe. Perforation pattern for 2" – 6" sizes per ASTM D-2729. Standard pipe length is 20'. Other lengths available upon request.

Other hole sizes and patterns are available on request.