



NATIONAL PIPE & PLASTICS, INC.

American-made products since 1970

Corporate Offices
New York Plant
3421 Old Vestal Road, Vestal, NY 13850
800.836.4350 607.729.9381 Fax: 607.729.6130

PVC Perforated Pipe

Please check/fill-in desired specifications and sign below.

Material

- ASTM D3034 Sewer SDR35
- ASTM D3034 Sewer SDR26
- ASTM D1785/D2665 SCH40
- ASTM D1785/D2665 SCH80
- Special: _____

Pattern

- Standard
- ASTM F-758 / AASHTO M278
- Special

Special Pattern

Hole Size: _____

Hole Spacing: _____

Hole Rows: _____

Sizes: _____

Length: _____

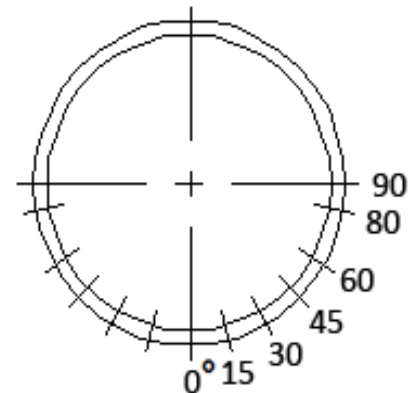
Signature: _____

Standard Pattern (per ASTM D2729)

Nominal Pipe Size	Hole Size	Hole Spacing	Hole Rows
4" - 6"	1/2"	5" ± 1/4"	2 @ 120° (± 5°)
8" - 15"	7/8"	6" ± 1/4"	2 @ 120° (± 5°)

ASTM F758 / AASHTO M278 Pattern

Nominal Pipe Size	Hole Size	Hole Spacing	Hole Rows
4"	3/8"	3" ± 1/4"	2 @ 90° (± 3°)
6" - 10"	3/8"	3" ± 1/4"	2 @ 90°, 2 @ 160° (± 3°)
12" - 15"	3/8"	3" ± 1/4"	2 @ 90°, 2 @ 120°, 2 @ 160° (± 3°)



NATIONAL'S sewer (D3034) and DWV (D2665) PVC pipe is manufactured from a PVC compound with a cell class of 12454, as defined in ASTM D1784, and meets the standard specifications of ASTM D3212, if integral gasketed joints are provided. Gasket material conforms to the requirement of ASTM F477.

Standard pipe lengths for sewer are 14', and for DWV 20'. Other lengths are available upon special request.